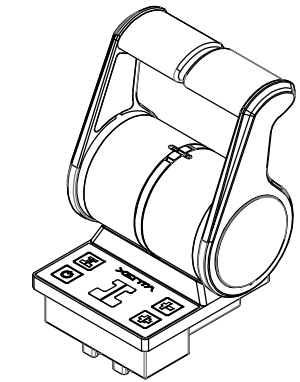


Unit Name

Unit type: UR_ST_THRL_X4DB_XNT

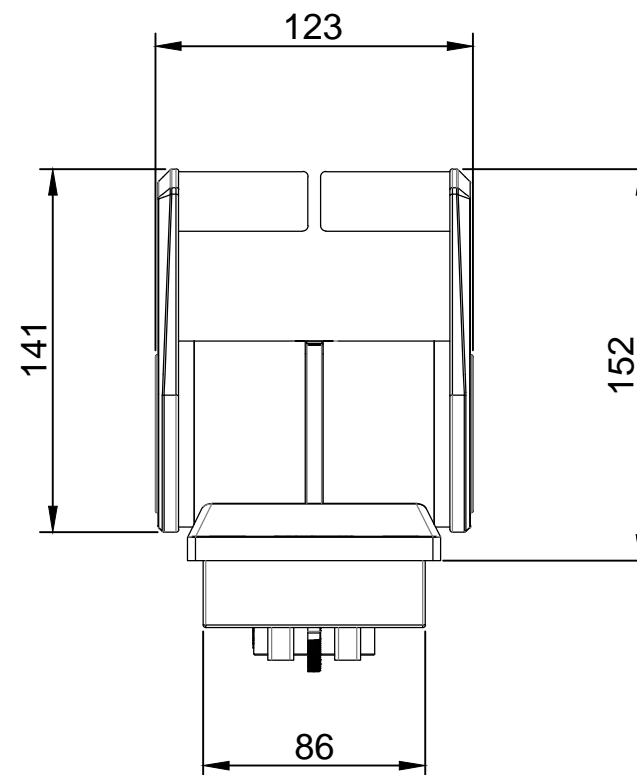
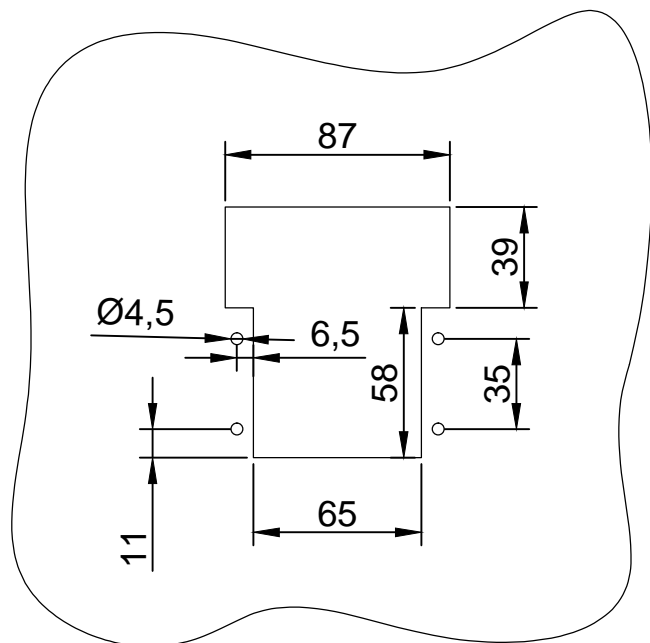


Prospective View (not in scale)

Technical Data

Dimensions(max LxWxH)	123x108x152
Weight	2.0 kg
Installation position	Horizontally ± 45°
Insulation resistance	IACS UR E10
Min/Max ambient temperature	-25°C/+70°C
Min/Max storage temperature	-25°C/+70°C
Damp heat	IACS UR E10 55°C/95%
Enclosure protection	IP66/IP67
Vibration resistance	IACS UR E10 sinus 5Hz-13.2Hz ±1mm; 13.2Hz-100Hz 0.7g
EMV / EMC protection	IACS E10
Operating voltage (STD)	Supplied by the system
Power supply variation	Supplied by the system
Maximum current consumption	Supplied by the system
Compass safe distance	EN 60945

Panel Cutout



Part Name : XNT_UR_ST_THRL_X4DB_XNT_05_TCH_ENG

Rev. Major : 01 Rev. Minor: 03

Date	Format	Unit / Tolerance
22/01/2019	A4	mm / ±1mm

All right reserved. This document may not be reproduced or disclosed to a third party or used for any other purpose without our express agreement. These drawings , and the information contained herein, are for general presentation purpose only, and are not intended , nor should be used, for engineering design plans.

Sheet 1 of 1 WWW.XENTAS.COM Scale 1 : 4

Interface characteristics

Housing material	Required for installation	Name of connector	Number of pins	Gender of the pins	Description
Colour: Chrome-Black	N x Washer/Nut 4 x M4/4 x M4	CTRL_P	6	Male	Primary Connection
Grounding: Not required		CTRL_S	6	Male	Secondary Connection