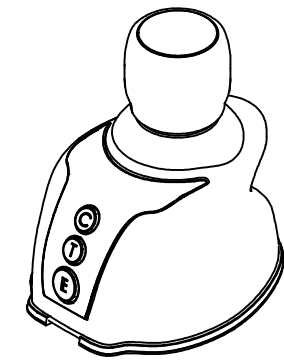
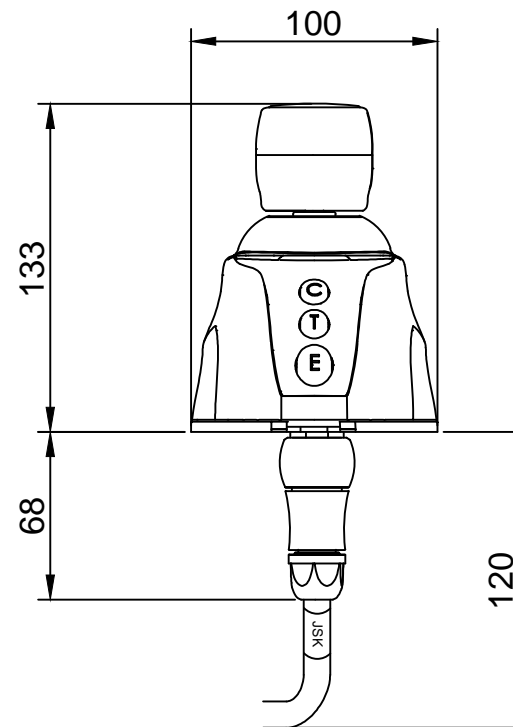
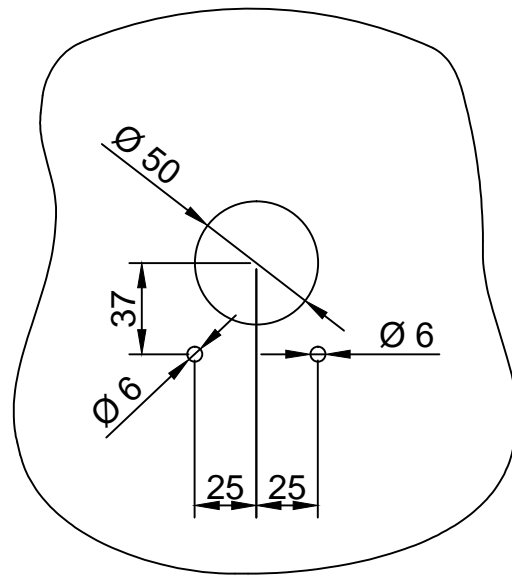


**Panel Cutout**



Prospective View (not in scale)

**Technical Data**

Dimensions(max)	125x100x133 mm
Weight	0.8 kg
Installation position	Horizontal±20°
Dielectric strength	EN 50155
Insulation resistance	EN 50155
Min/Max ambient temperature	-25°C/+70°C
Min/Max storage temperature	-25°C/+70°C
Damp heat	55°C/97%
Enclosure protection	IP 67
Shock resistance	15g/11ms; 3 shocks per axis and direction
Vibration resistance	sinus 13.2Hz ±1mm; 13.2Hz-100Hz 0.7g; 90min on each Res. Freq. 5Hz-150Hz 1g rms; 48H per axis
EMV / EMC protection	EN 60533
Operating voltage	Supplied by the system
Power supply variation	Supplied by the system
Maximum current consumption	Supplied by the system
Compass safe distance	EN 60945
Salt mist	IEC 60092-504



Part Name : XNT\_UR\_ST\_JSK\_TCH\_ENG

Rev. Major : 01 Rev. Minor: 03

Date	Format	Unit / Tolerance
21.01.2019	A4	mm / ± 1mm

All right reserved. This document may not be reproduced or disclosed to a third party or used for any other purpose without our express agreement. These drawings, and the information contained herein, are for general presentation purpose only, and are not intended, nor should be used, for engineering design plans.

Sheet 1 of 1 WWW.XENTAS.COM Scale 1 : 4

Housing material	Polyamide-Fiberglass	<b>Required for installation</b>	
Colour	Black / (See option)	N x Self-tapping Screw	2 x ISO 7050 - 5.5
Grounding	Not required	N x Pan Head Screw/Nut/Washer	2 x ISO 7045 - M5 / M5 / ISO 7089 - 5

<b>Interface characteristics</b>			
Name of connector	Number of pins	Gender of the pins	Description
JSK	8	M	Connect to UR_ST_BS