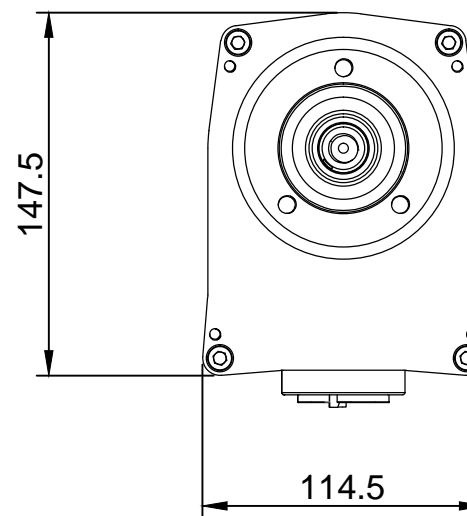
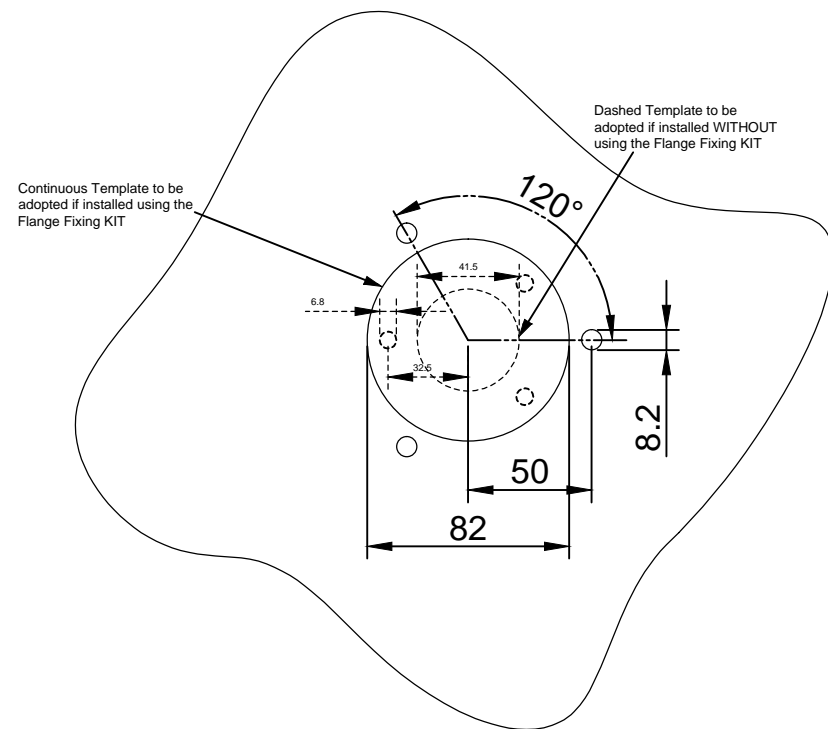


Prospective View (not in scale)

Technical Data

Dimensions(max LxWxH)	147.5 x 114.5 x 282
Weight	4.2 kg
Installation position	Any
Insulation resistance	IACS E10
Min/Max ambient temperature	-25°C/+70°C
Min/Max storage temperature	-25°C/+70°C
Damp heat	IACS E10 55°C/95%
Enclosure protection	IP66/IP67
Vibration resistance	IACS E10 sinus 2Hz-13.2Hz ±1mm; 13.2Hz-100Hz 0.7g
EMV / EMC protection	IACS E10
Operating voltage (STD)	18V - 31.2V (24V)
Power supply variation	IACS E10 +30%, -25%
Maximum current consumption	5A
Compass safe distance	EN 60945

Panel Cutout



Interface characteristics

Name of connector	Number of pins	Gender of the pins	Description
CTRL_P	6	M	Connect to UR_ST_BS
CTRL_S	6	M	Connect to UR_ST_BS
PW	4	M	Supplies voltage to the system

Housing material	Aluminum - Delrin	Required for installation	
Colour	Black	N x Socket Countersunk Head Screw (continuous template)	3 x ISO 10642- M8 x 30 3 x ISO 10642- M8 x 25
Grounding	Not required	N x Socket Countersunk Head Screw (dashed template)	3 x ISO 10642- M8 x 25

Part Name : XNT_UR_ST_HLM_A02_TCH_ENG		
Rev. Major :	01	Rev. Minor: 02
Date	Format	Unit / Tolerance
21/01/2019	A4	mm / ± 1mm

All right reserved. This document may not be reproduced or disclosed to a third party or used for any other purpose without our express agreement. These drawings , and the information contained herein, are for general presentation purpose only, and are not intended , nor should be used, for engineering design plans.

